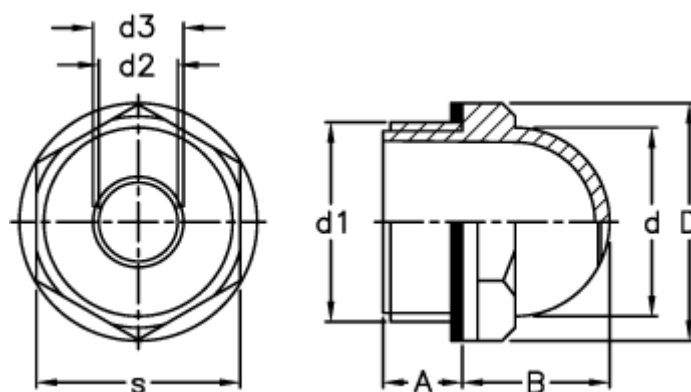


Article number: 2311010906

Description: E+G Dome-shaped level indicator
HCFE.15/C-1/2

Measures



A = 10.5

B = 16.0

d = 19

D = 26.0

d1 = G 1/2

d2 = 6

d3 = 7

s = 22

Tightening torque N m = 4 to 6